

INSTRUCTION MANUAL

AP-12 Air Filtration Unit (240V) 1044cfm



W326

Index of Contents

	Page No.
Declaration of Conformity.....	2
What's in the Box.....	3
Unpacking your Air Filter.....	3
General Instructions for 230v Machines.....	4
Specifications.....	5
Parts Identification and Description.....	6
Machine Illustration of the Air Filter.....	7
Illustrated Parts Breakdown for the Air Filter.....	8,9
Illustrated Parts list for the Air Filter.....	10
Machine Illustration of the Air Filter (Continued).....	11
Setting up.....	12
Setting up (Continued).....	13,14
Routine Maintenance.....	15

MACHINERYHOUSE

What's in the Box?

Quantity	Item	Model Number
1 No.	Air Filter with Fitted Filters	
1 No.	Remote Control (Includes 3 x AAA batteries)	
4 No.	Rubber Feet	
	Fixings Include,	
	4 x Screws	
	8 x Washers	
	8 x Spacers	
1 No.	Manual	
1 No.	Guarantee Card	

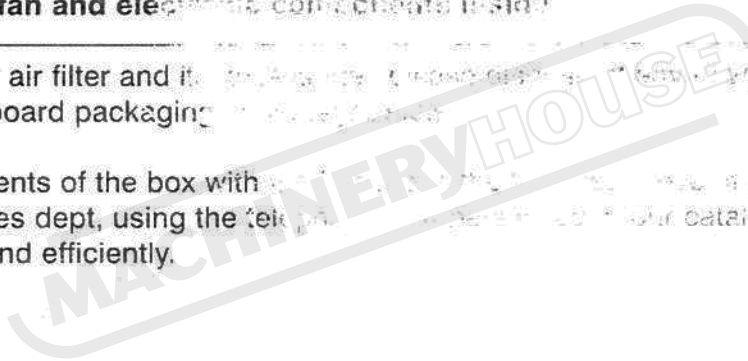
Unpacking your Air Filter



Caution. The air filter is a precision unit. It is advised that you have assistance removing it from the box. Handle with care, this unit has a balanced fan and electrical connections inside.

Having unpacked your air filter and its packaging, please dispose of it responsibly. The cardboard packaging is made from recycled paper.

Please check the contents of the box with the manual. If you have any queries, please contact our sales dept, using the telephone number on our catalogue. We will be dealt with quickly and efficiently.



General Instructions for 230v Machines

Good Working Practices/Safety

The following suggestions will enable you to observe good working practices, keep yourself and fellow workers safe and maintain your tools and equipment in good working order.



WARNING!! KEEP TOOLS AND EQUIPMENT OUT OF THE REACH OF YOUNG CHILDREN

Mains Powered Tools

Primary Precautions

These machines are supplied with a moulded 13 Amp. Plug and 3 core power cable. Before using the machine inspect the cable and the plug to make sure that neither are damaged. If any damage is visible have the tool inspected/repared by a suitably qualified person. If it is necessary to replace the plug, it is preferable to use an 'unbreakable' type that will resist damage on site. Only use a 13 amp plug, and make sure the cable clamp is tightened securely. Fuse at 13 amp. If extension leads are to be used, carry out the same safety checks on them, and ensure that they are correctly rated to safely supply the current that is required for your machine. Also it's a good policy to use switched supply outlets.

Work Place/Environment

- Make sure when the machine is placed that it sits firmly on a stand/bench, that it does not rock.
- Do not have objects too close to the air filter as it will restrict the air flow, reducing extraction efficiency.



Never use your air filter in environments that has volatile fumes from fuel, paint, chemicals, smoke and other hazardous particles. (This unit is only designed to remove wood particles, it is not a dust collector).

- Only operate the air filter in dry environments.
- Do not wear loose clothing, ties or any other items that may be sucked against in the filter inlet.

Specifications

Motor:	1/5 hp
Motor at Low Speed:	750rpm
Motor at Medium Speed:	960rpm
Motor at High Speed:	1200rpm
Fan Low Speed Sound:	62 db
Fan Medium Speed Sound:	67 db
Fan High Speed Sound:	69 db
Air Flow at Low Speed:	556 CFM
Air Flow at Medium Speed:	702 CFM
Air Flow at High Speed:	1044 CFM
Filtration:	2 Stage
Inner Filter:	1 Microns
Outer Filter:	5 Microns
Maximum Recommended Room Volume	300 Cubic Meters

MACHINERYHOUSE

Parts Identification and Description

Main casing (See Fig 1)	The main casing is a rectangular steel box which contains all the components.
Carrying handles (See Fig 1)	There is a plastic handle on either side of the air filter to give convenient hand holds while moving the machine.
Motor	A standard 230V 50Hz single phase motor rated at 1/5hp (Unseen)
Air outlet (See fig 2)	The air outlet is a wire mesh frame located at the rear of the unit.
Control panel (See fig 2a)	The control panel enables you to manually turn the air filter On or Off. It has a 5 amp fuse for circuit protection. The fan has three speeds LO, MED and HI that can be controlled by pushing the On/speed button repeatedly. Each push will cycle the control circuit from Off, Speed 1, Speed 2, Speed 3 & Off. The selected speed will be indicated by the red LED indicators on the control panel. Built in to the control panel there is a remote control signal receiver.
Remote control (See figs 3 & 4)	The remote control enables you to operate the unit up to a range of 75 feet. There are three functions on the remote. The "Red" button is for remotely turning the air filter Off. The "Green" Button is to turn On the unit and to set the speed for the fan. Repeatedly pushing the button will cycle the control circuit from Off, Speed 1, Speed 2, Speed 3 & Off. The "Yellow" button is for setting the auto-shut off, repeatedly pushing the button will cycle the running time from 1 Hour, 2 Hour, 4 Hour & continuous. A selected time will be indicated by the red LED indicators on the control panel. The remote control comes with 2x AAA battery's.
Outer filter (See Fig 9)	The outer filter is a latticed cardboard frame with a 5 micron paper filter inside.
Inner filter (See Fig 9)	The inner filter is a 1 micron fabric bag to collect and store the wood particles.
Filter retaining latches (See Fig 1)	There are two filter retaining latches on the front of the unit which holds the outer filter in place.

Machine Illustration of the Air Filter

Remove the screw plugs to screw in the M10 ring bolts



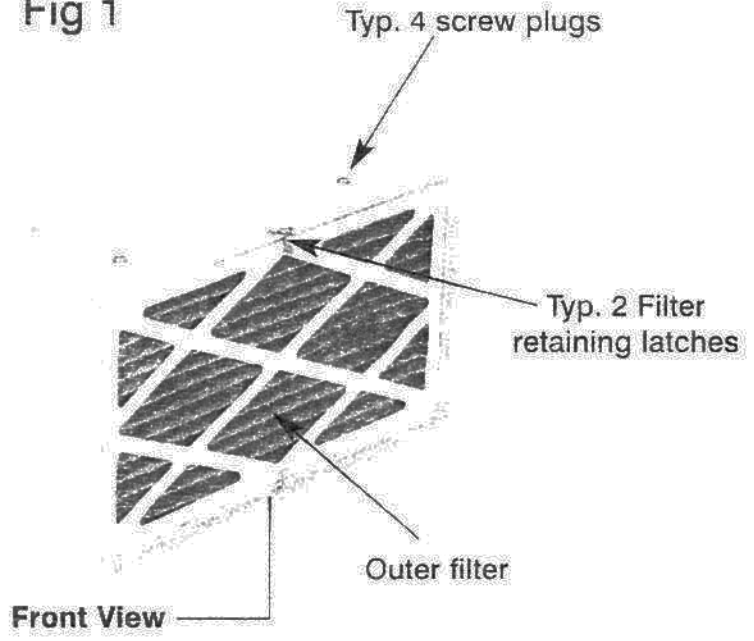
Main casing



Carrying handle



Fig 1

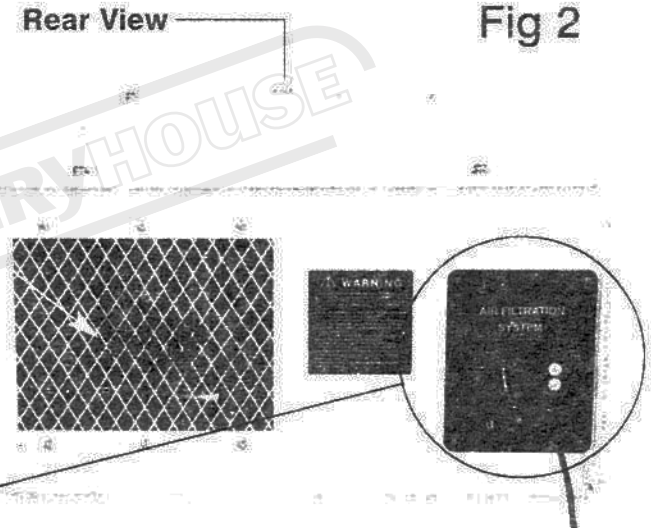
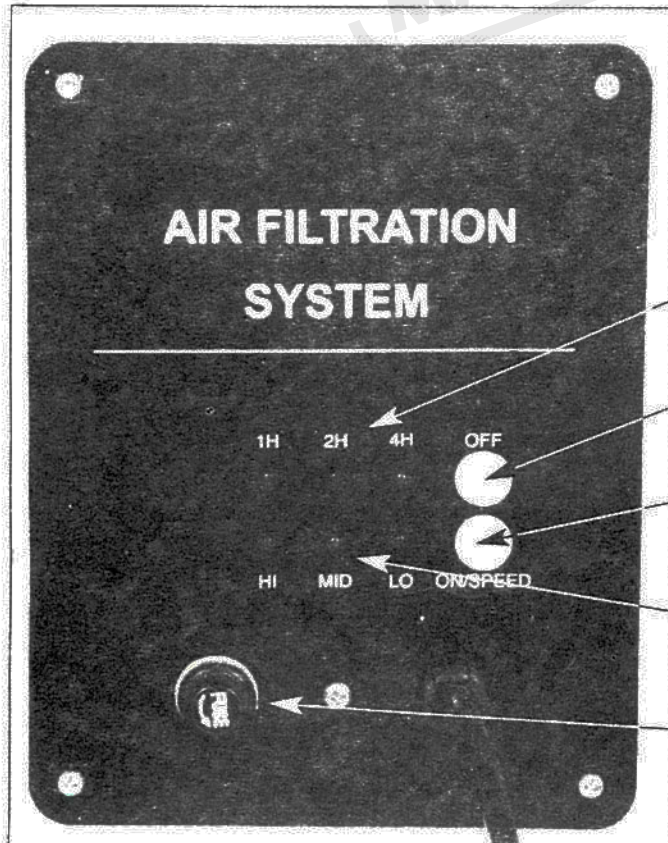


Rear View

Fig 2

Air outlet

Control panel



Timer LED indicators

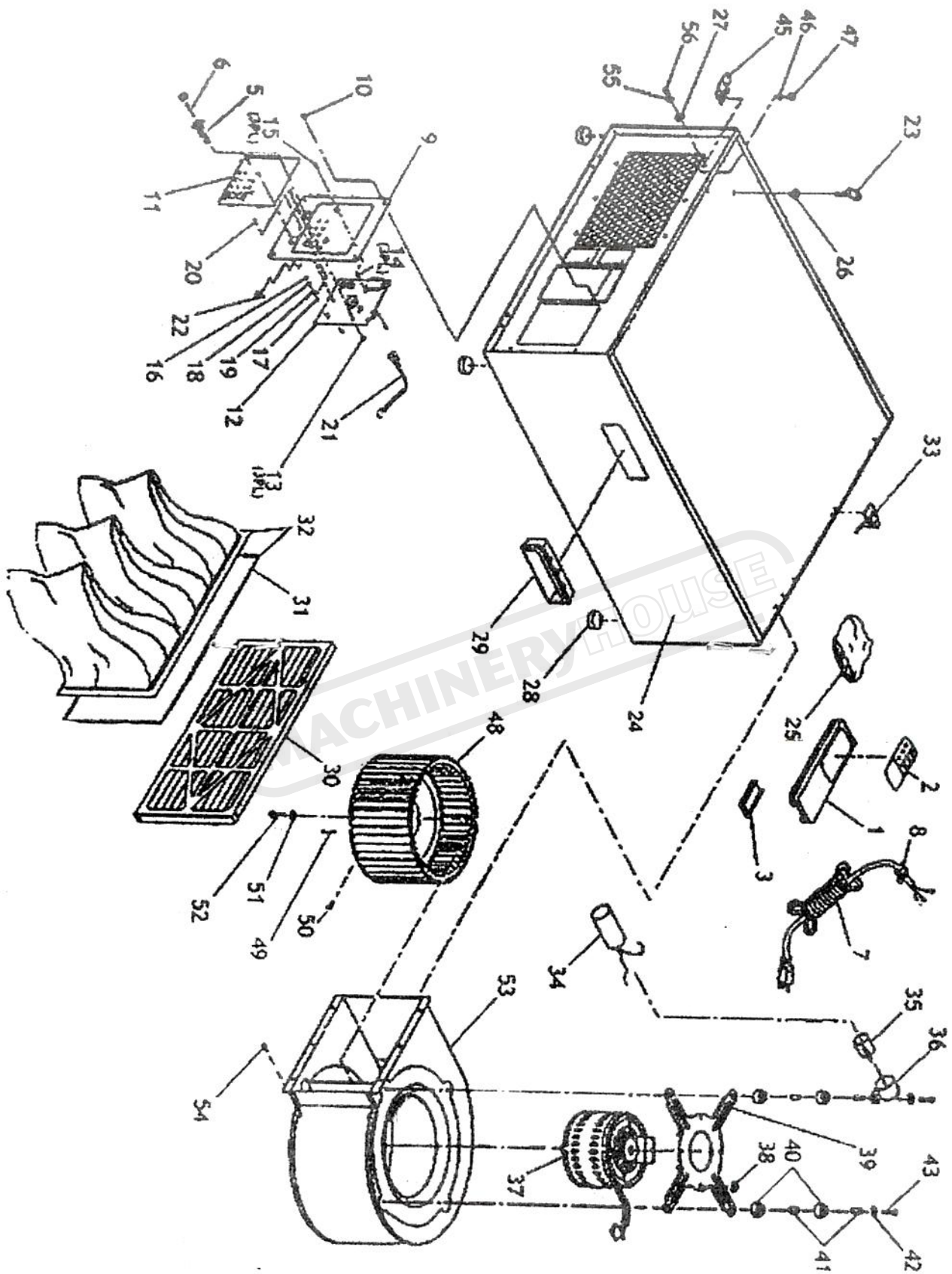
Off push button

On/speed push button

Fan speed LED indicators

Fuse

Fig 2a



Illustrated Parts list for the Air Filter

PART	DESCRIPTION	PART	DESCRIPTION
1	REMOTE CONTROL	33	CLIP SET
2	LABEL (CONTROLS)	34	CAPACITOR
3	REMOTE CONTROL COVER	35	INSULATOR
		36	CAPACITOR CLAMP
5	FUSE HOLDER	37	MOTOR
6	1 ¹ / ₈ " FUSE 5-AMP (250VAC)	38	HEX LOCKING NUT M5-0.8
7	POWER CORD 3-WIRE 18-GA	39	FLANGE
8	STRAIN RELIEF	40	SPACER
9	CONTROL PANEL	41	SLEEVE
10	PHLP HD SCR M4-0.7 X 10	42	FLAT WASHER 6MM
11	LABEL (CONTROLS)	43	HEX BOLT M6-1.0 X 30
12	PC BOARD	45	FLANGE BRACKET
13	PHLP HD SCR M3-0.45 X 6.5	46	FLAT WASHER 6MM
14	SPACER (SPECIAL)	47	HEX BOLT M6-1.0 X 10
15	PHLP HD SCR (SPECIAL)	48	FAN
16	EXT TOOTH WSHR 4MM	49	KEY 4 X 4 X 20MM
17	HEX NUT M4-0.75	50	HEX BOLT M8-1.25 X12
18	FLAT WASHER 4MM	51	FLANGE DISK 6.5 X 44MM
19	LOCK WASHER 4MM	52	CAP SCREW M6-1.0 X 20 (LH)
20	PHLP HD SCR M4-0.75 X 6	53	FAN HOUSING
21	PC WIRING HARNESS	54	TAPPING SCREW
22	BOLT (SPECIAL) M3-0.45 X 6.5	55	LOCK WASHER 6MM
23	EYE BOLT M6-1.0 X 20	56	PHLP HD SCR M6-1.0 X 16
24	HOUSING		
25	MOUNT AND BOLT BAG		
26	RIVET NUT M6 X 8		
27	FLAT WASHER 6MM		
28	RUBBER FOOT		
29	HANDLE		
30	PRIMARY FILTER 5-MICRON		
31	FOAM SEAL 1/4" X 1" X 70"		
32	SECONDARY FILTER 1-MICRON		

Machine Illustration of the Air Filter (Continued)

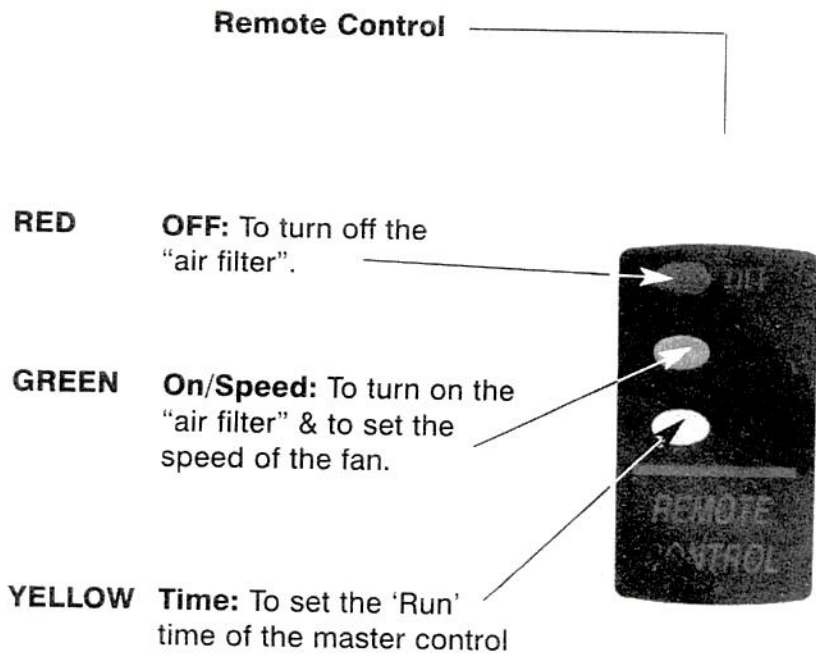


Fig 3

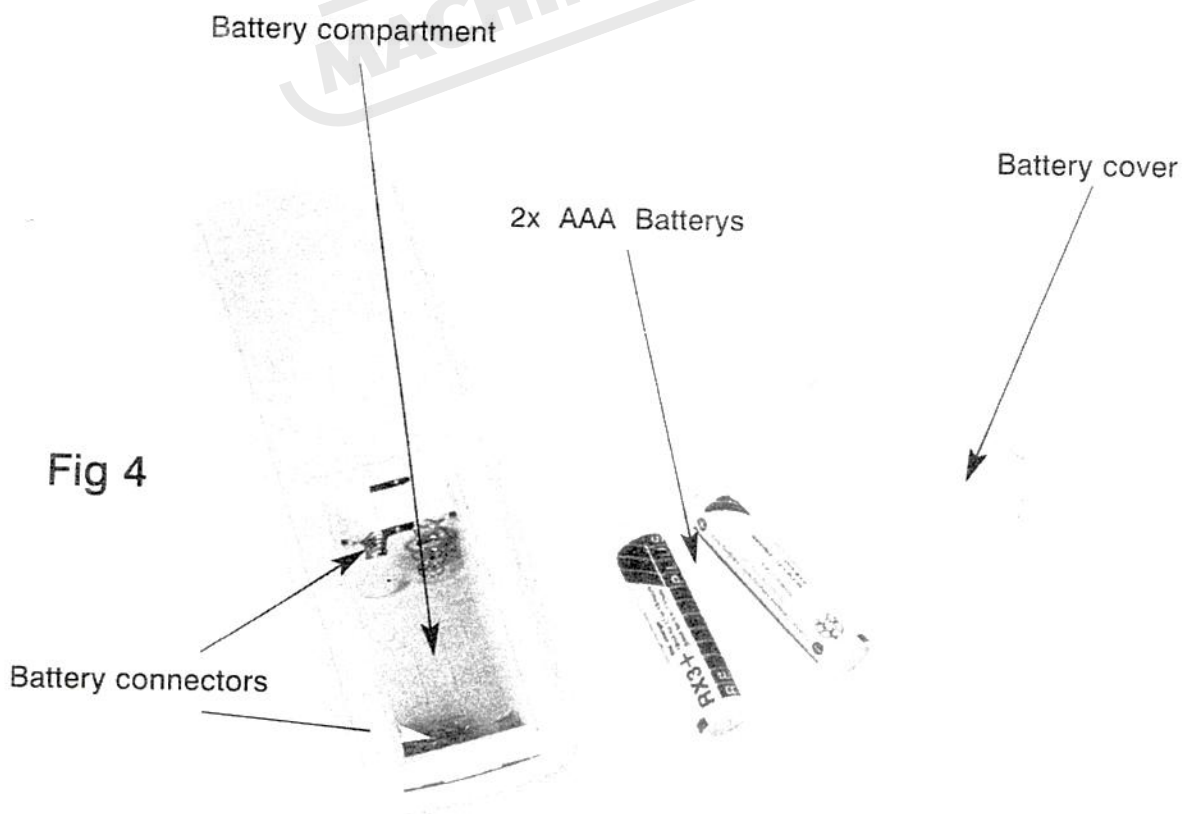


Fig 4

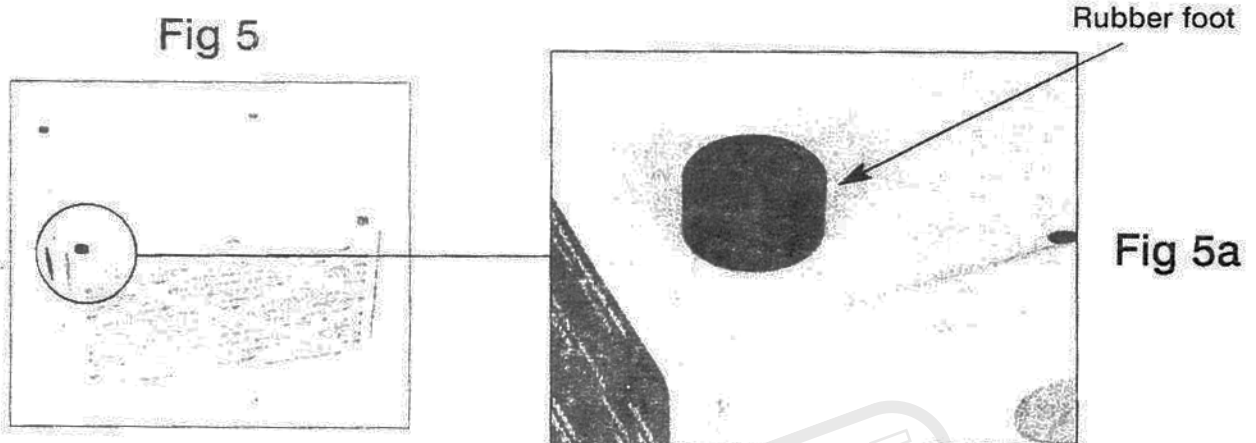
MACHINERYHOUSE

Setting up

NOTE. The remote control system relies on an infra red beam, so before setting up the air filter make sure the signal path for the remote control is not obstructed by hanging objects or partition walls.

Your "Air Filter System" can be set up in three ways.

- **Workbench mounting-** Find the four rubber feet, remove the sticky back and place to each corner of the unit, press down firmly. (See fig 5 & 5a) Turn the air filter upright and place on to a stable workbench.



Caution: It is advisable to seek help when transporting the unit around.

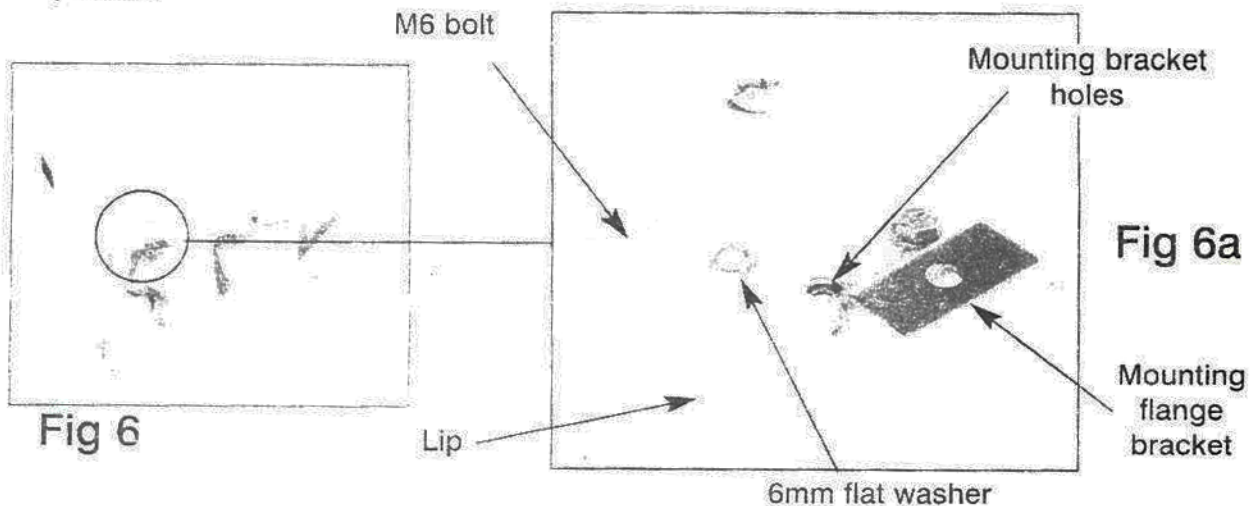
- **Wall & Ceiling mounting-** You can install your air filter unit in confined spaces by using the flange brackets supplied with your unit.



Warning. Before mounting the air filter system make sure the surface you intend to fix it to can support the weight **DO NOT** fix to surfaces such as plaster board for example.

To install

First locate the M6 Bolts and flat washers (The mounting holes are threaded, so you wont need lock nuts). Position each of the flange brackets under the lip of the mounting bracket holes. (See fig 6a). Insert the flat washer and hex bolt through the mounting holes & secure with a 10mm spanner.



Setting up (Continued)

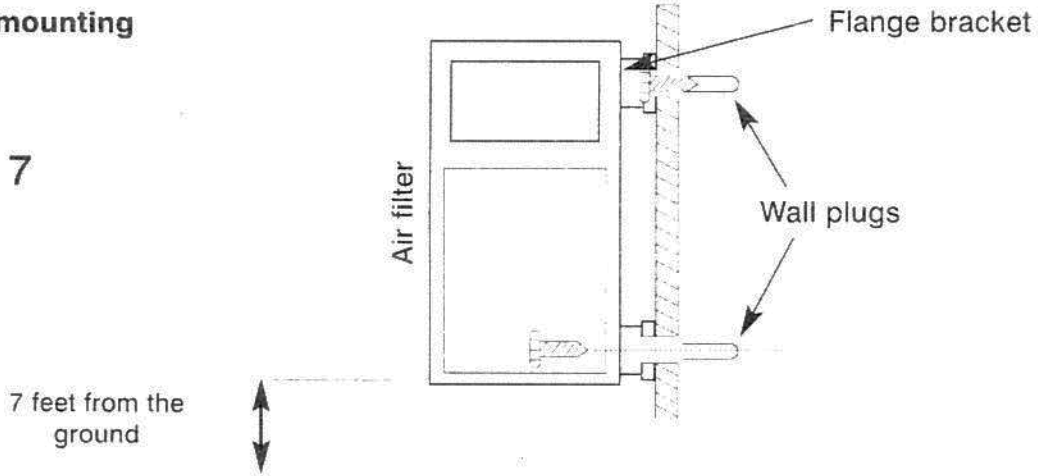
After securing all the flange brackets to the air filter, there are three options for mounting the unit.

Caution. You will require assistance to lift the air filter in position

• **Option 1** is to drill and screw the unit flush to the wall face just using the flange brackets.

Wall mounting

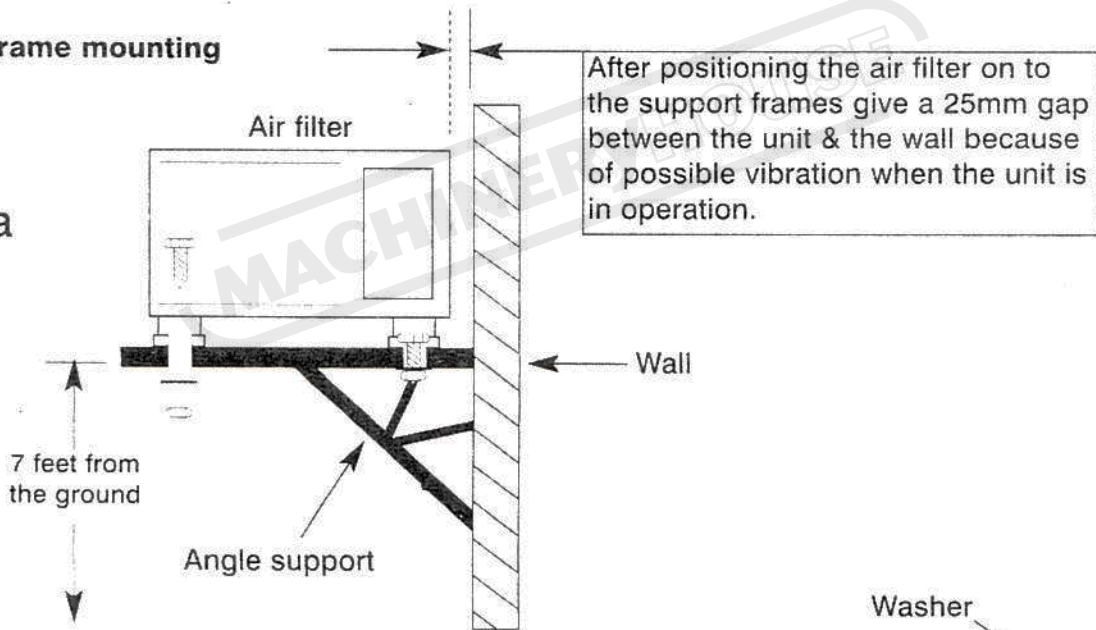
Fig 7



• **Option 2** is to fix two angle supports to the wall and simply bolting the air filter to them.

Angle frame mounting

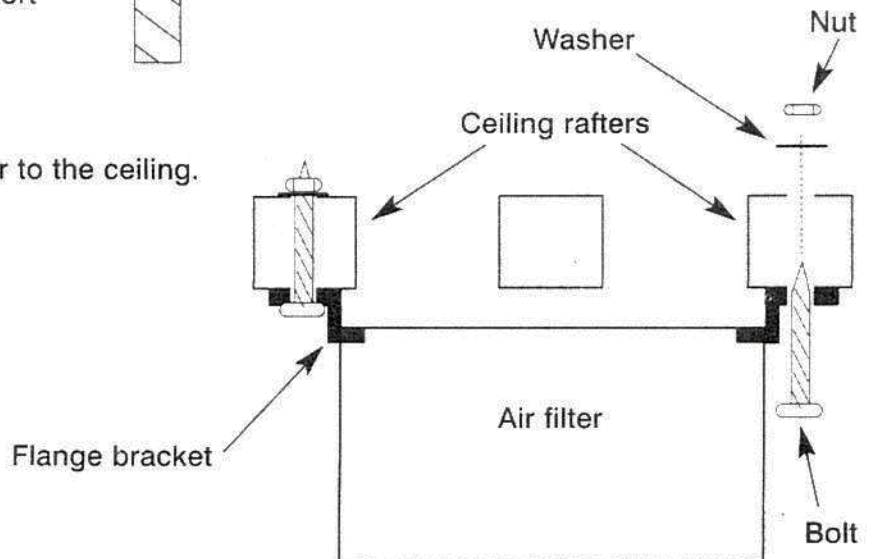
Fig 7a



• **Option 3** is to mount the air filter to the ceiling.

Ceiling mounting

Fig 7b



Setting up (Continued)

• **Ceiling mounting-** Your air filter system can be suspended from the ceiling using the four M10 ring bolts (supplied with your unit). You will require another four ring bolt for securing to the ceiling rafters.



WARNING. We recommend using chains or cables to suspend from the ceiling. Any other such as ropes can become brittle over time causing injury if the ropes were to snap.

First: Remove the screw plugs from the air filter (See fig 1) then screw the four M10 ring bolts into the four mounting holes. (see fig 8a & 8b)

NOTE: You must replace the screw plugs on top to seal the unit, if you intend to mount the air filter to option 1, 2 or 3. (See page 13)

Second: Fix the extra four mounting ring bolts to the ceiling.

Third: Slide the chains or wires through the ring bolts so they are hanging down freely.



Caution. It is advisable to seek help when lifting & positioning the air filter.

Fourth: Raise the air filter system and secure the four hanging chains or wires to the unit. (See fig 8)

Note. Before finally securing all the fixings make sure the air filter is level by using a spirit level and adjusting accordingly.

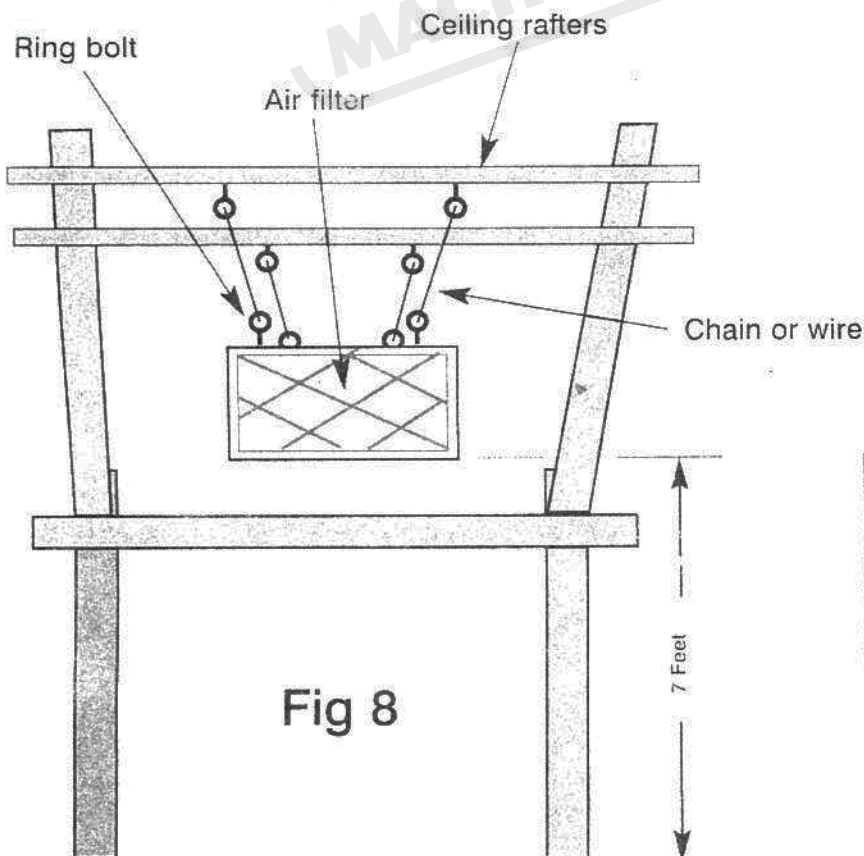
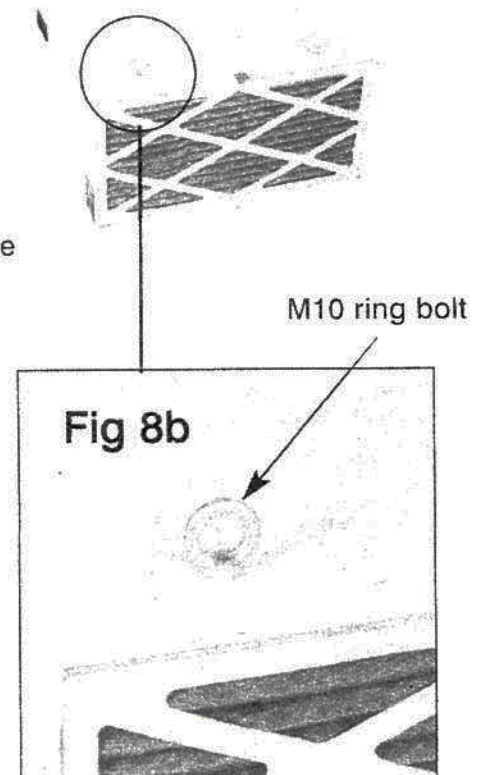


Fig 8a



Routine Maintenance

The amount of dust in the air has a direct bearing on when it is time to replace the outer filter.

Changing the filter



Disconnect the machine from the mains supply.



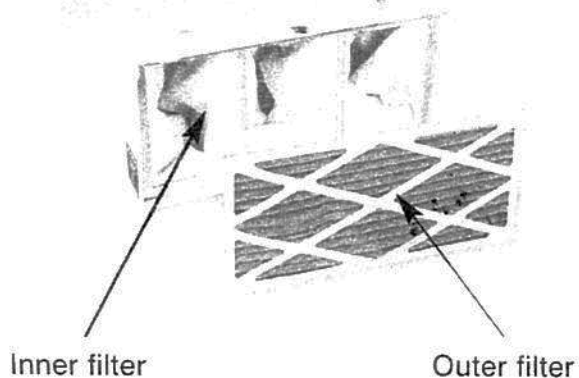
WARNING. Always wear a dust mask and glasses when changing the filter.

- Unclip the filter retaining latches.
- Carefully remove the outer filter and dispose in a black plastic bag.

NOTE. DO NOT use air gun to blow out the inner filter. If you do it will result in **damaging** the filter causing a reduction in filtering extraction. Instead remove the inner filter and shake to remove the wood particles, then rinse with warm water & leave to dry.

- Vacuum out the inside of the filter housing. (See fig 9a)
- Reinstall the inner filter when dry then install a new outer filter.
- Clip down the two retaining latches.
- Clean the outside of the machine with a damp soapy cloth, avoiding the electrical components as this may result in damaging the air filter.

Fig 9



Filter assembly

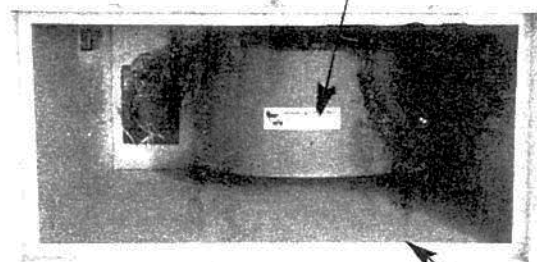


Fig 9a

Filter housing

Remote control

When you find the remote control is not operating, before replacing the batteries make sure the battery connectors have not become corroded. (See fig 4) If so use some abrasive green pad to remove corrosion and try again. When changing the batteries make sure they are fitted correctly. The polarity is indicated in the base of the battery compartment.

(You find abrasives in section 14.09 in our catalogue)